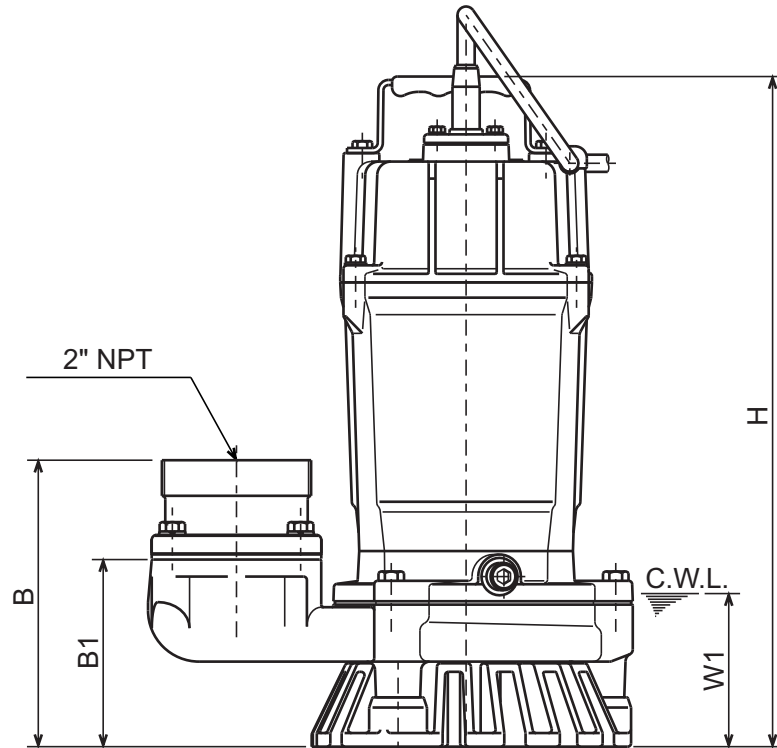
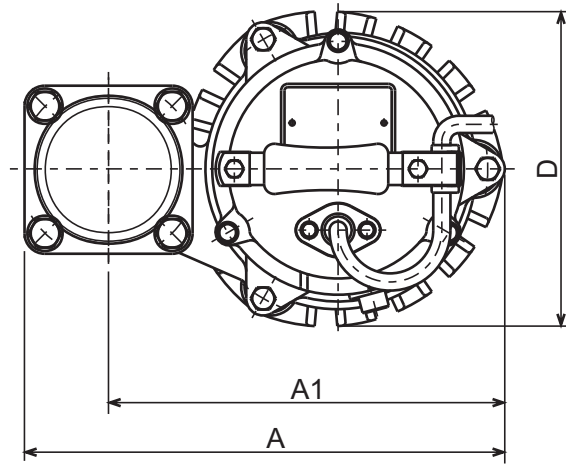




**HS - SERIES**  
**SEMI-VORTEX - WASTEWATER PUMP**

**DIMENSIONS**

**HS2.75S-62**



C.W.L. : Continuous running Water Level

**DIMENSIONS:USCS (Inch)**

Model	HP	NOM. SIZE	Pump & Motor						C.W.L.	Wt. (lbs.)
			A	A1	B	B1	D	H	W1	
HS2.75S-62	1	2"	11 7/16	9 3/16	6 3/4	4 5/16	7 5/16	15 5/16	3 1/2	37

**DIMENSIONS:METRIC (mm)**

Model	kW	NOM. SIZE	Pump & Motor						C.W.L.	Wt. (kg)
			A	A1	B	B1	D	H	W1	
HS2.75S-62	0.75	50	290	233	173	110	185	389	90	16.7